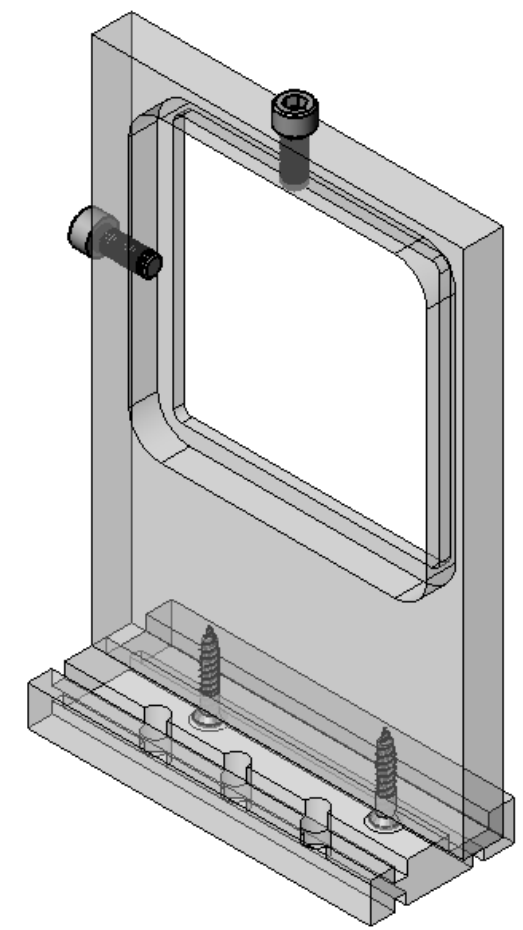
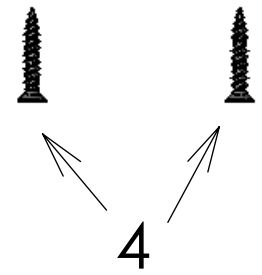
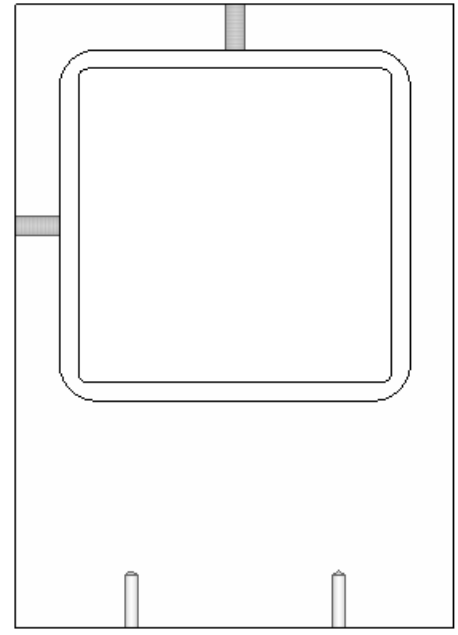
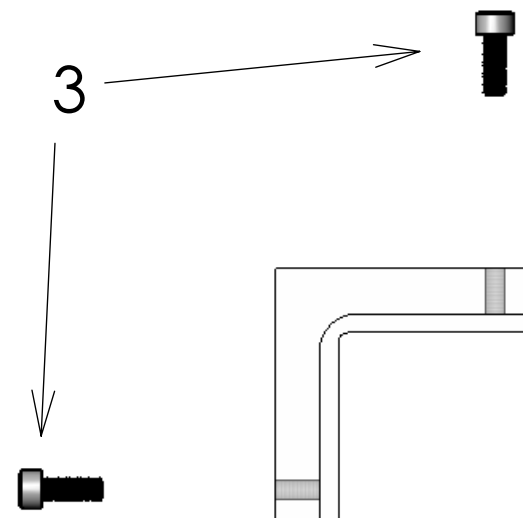


Item Number	QTY	Name	Material
1	1	Vertical Piece	Acrylic
2	1	Horizontal Piece	Acrylic
3	2	6 - 1.0 x 16 SHCS	-
4	2	6 x 1" Fine Thread Drywall	-



PROPRIETARY AND CONFIDENTIAL
 THE INFORMATION CONTAINED IN THIS DRAWING IS THE SOLE PROPERTY OF <INSERT COMPANY NAME HERE>. ANY REPRODUCTION IN PART OR AS A WHOLE WITHOUT THE WRITTEN PERMISSION OF <INSERT COMPANY NAME HERE> IS PROHIBITED.

		UNLESS OTHERWISE SPECIFIED:	NAME	DATE	TITLE:		
		DIMENSIONS ARE IN MM	DRAWN				
		TOLERANCES:	CHECKED				
		FRACTIONAL ±	ENG APPR.				
		ANGULAR: MACH ± BEND ±	MFG APPR.				
		TWO PLACE DECIMAL ±	Q.A.		SIZE	DWG. NO.	REV
		THREE PLACE DECIMAL ±	COMMENTS:		B	Holder	
NEXT ASSY	USED ON	MATERIAL			SCALE: 1:5	WEIGHT:	SHEET 1 OF 1
APPLICATION		FINISH					
		DO NOT SCALE DRAWING					